

1

2

3

4

5

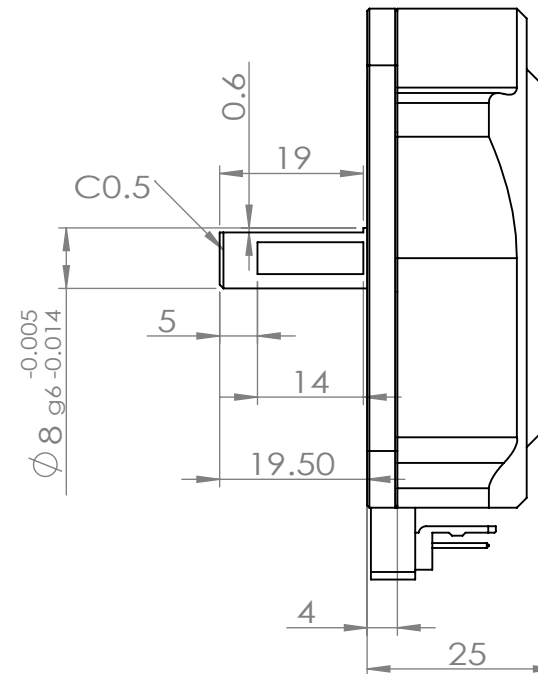
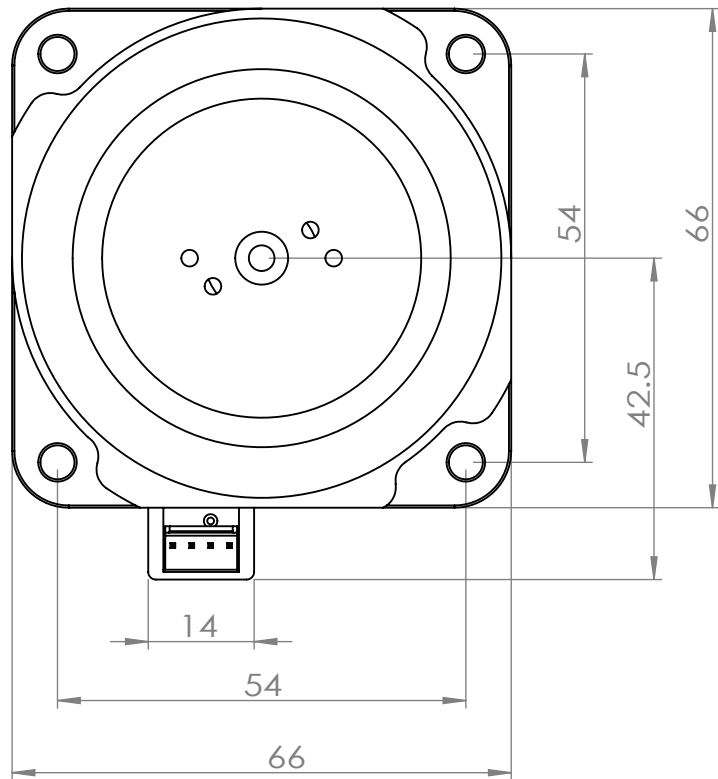
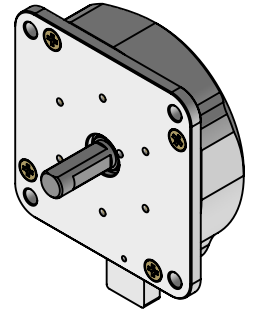
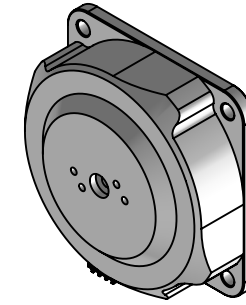
6

A

B

C

D



Parts Number	Material · Treatment	Designer	
Name / 名称	PSM60S-A	Version Ver. 4.0	Final Date 2020/11/30
Sheet	SCALE: 1:1	A4	Page: 1 / 1 株式会社 Piezo Sonic